



Adjustable Riffle Distributors

Coal Distribution Unbalanced?

Consider Foster Wheeler Solutions



COMBUSTION BENEFITS
INSTALLATION BENEFITS
MAINTENANCE BENEFITS

**REPLACEMENT RIFFLE
ELEMENTS AVAILABLE IN
SEVERAL STYLES**



ADJUSTABLE RIFFLE DISTRIBUTOR

COMBUSTION BENEFITS

- Coal flow distribution control achieves:
 - Lower NOx and CO emissions
 - More efficient combustion
 - Lower unburned carbon in ash
 - Reduced Burner coking and coal pipe fires
 - More even boiler gas and metal temperature profiles
- Corrects inadequate coal transport conditions
- Corrects Ball mill end to end imbalances



ADJUSTABLE INLET VANES

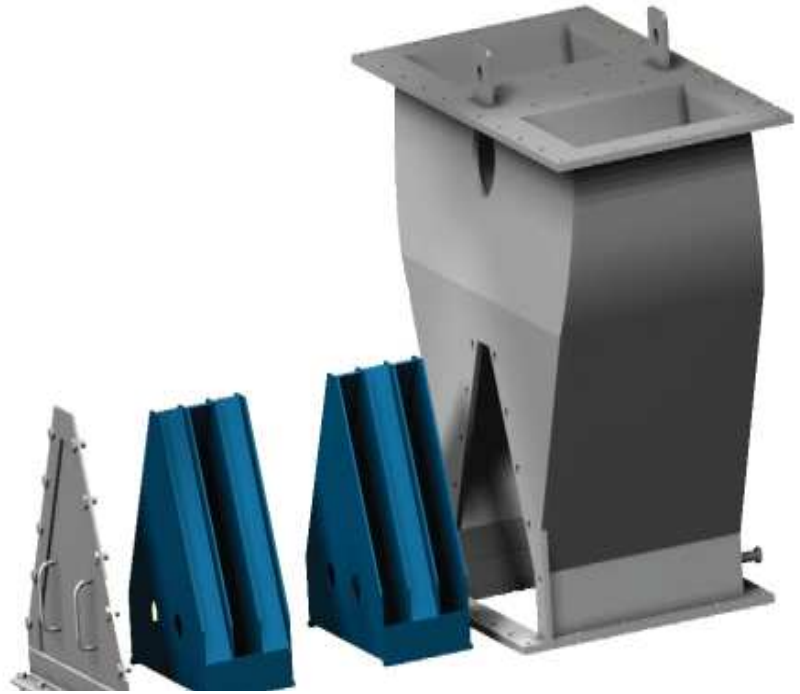
INSTALLATION BENEFITS

- The Adjustable Riffle Distributor allows on-line biasing of coal flow between coal pipes without taking the associated pulverizer system out of service
- Design is compatible with common industry riffle distributors and can be installed without coal pipe modifications resulting in less pulverizer downtime
- The Adjustable Riffle design is available for Foster Wheeler and Riley ball tube, as well as Atrida mills, and CE Raymond exhauster mills
- Available for 2- or 3-way distribution

MAINTENANCE BENEFITS

- Easy to inspect and maintain:
 - Riffle Assembly can be easily removed for access to the flow control vanes
 - Flow control vanes are keyed to the shaft
 - Simply lift out vane and replace with new control vane
- Fabricated using erosion resistant materials

EASILY MAINTAINED

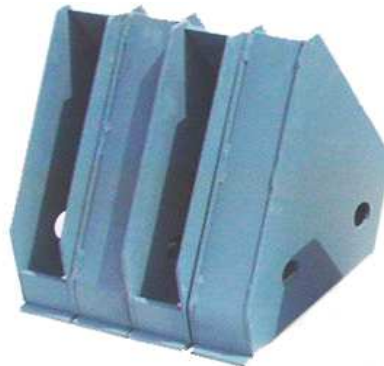


REPLACEMENT RIFFLE ELEMENTS AVAILABLE IN SEVERAL STYLES

- Original Equipment:
 - Fine-cut
 - Smallest openings of the 3 designs
- Mid-Cut
 - Mid-sized openings provide increased air flow over OEM design
 - Thicker material for longer wear life
 - Lightest overall weight
 - Lowest cost option of the 3 designs
- Coarse-Cut
 - Sectional design provides ease of handling
 - Widest opening of the 3 designs, provides increased air flow
 - Lower cost than OEM design
 - Thickest material, designed for longer wear life



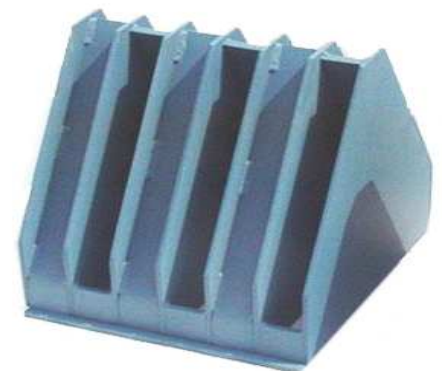
FINE CUT



COURSE CUT

MATERIAL OPTIONS

- Carbon Steel
- AR 400
- AR 500



MID CUT

REPLACEMENT RIFFLE ELEMENTS



We offer a full range of steam generator equipment, aftermarket products and services to the power, industrial, and waste-to-energy sectors. Our global manufacturing and engineering network can deliver cutting-edge products and expertise, quickly and cost competitively with best-in-class quality. Established in 1891, our experience comes from over a century of designing, servicing, and continually improving steam generating equipment.

Steam Generators

- Circulating Fluid Bed
- Pulverized Coal
- Oil & Gas
- Supercritical Steam
- Solar Power
- Package
- Grate & MSW
- Metallurgical Waste Heat
- Heat Recovery Steam Generators

Auxiliary Equipment

- Feedwater Heaters
- Condensers
- Biomass Gasifiers

Services & Environmental Products

- SCR and SNCR Systems
- Low NOx Combustion Systems
- Replacement/Upgraded Parts
- Construction Services
- Modernizations

CONTACT US

Globally

www.fwc.com

CHINA

Units 12 to 26, 6th Floor - Tower A
Beijing COFCO Plaza
No. 8 Jianguomennei Street
Beijing, 100005 China
T +86 (0) 10 6526 3480/81

8th & 5th Floor, UC Tower
500 Fushan Road
Pudong New Area
Shanghai, 200122 China
T +86 (0) 21 5058 2266

FINLAND

Metsänneidonkuja 8
FI-02130 Espoo, Finland
T +358 (0) 10 393 11

Relanderinkatu 2
78201 Varkaus, Finland
T +358 (0) 10 393 11

GERMANY

Burggrafenstrasse 5A
40545 Düsseldorf, Germany
T +49 (0) 211 5502 4700

POLAND

Aleja Jana Pawla II 15
00-828 Warsaw, Poland
T +48 (0) 22 697 6870

ul. Staszica 31
41-200 Sosnowiec, Poland
T +48 (0) 32 368 1300

SPAIN

Calle Gabriel Garcia Márquez, 2
28230 Las Rozas
Madrid, Spain
T +34 (0) 91 336 2400

SWEDEN

Lindövägen 75
602 28 Norrköping, Sweden
T +46 (0) 11 285 330

THAILAND

9th Floor, Maneeya Building
518/5 Ploenchit Road
Lumpini, Pathumwan
Bangkok 10330, Thailand
T +66 (0) 2 652 0760

USA

Perryville Corporate Park
Clinton, New Jersey 08809 USA
T +1 (1) 908 730 4000

9780 Mt. Pyramid Court, Suite 260
Englewood, Colorado 80112-7060 USA
T +1 (1) 303 784 4880

MAINTENANCE PARTS

Perryville Corporate Park
Clinton, New Jersey 08809 USA
T +1 (1) 908 713-2260
Fax +1 (1) 908 713-2285